



BP SERIES PRINTERS

Simply the Best in its class!



*It makes your printing smart and Magic.
Thermal and dot Matrix Receipt printers*

Definitely, not may be !

Besides the quality components and design of the outer chassis, Birch BP-003 and BP-007 have the internal" metallic mechanism "and technically re-engineered device are essential for longer term reliable performance and keep the printer head and Cutter are in the good conditions.

BP-003 can be not only for general receipt printer with chassis but also for " Open Frame" Kiosk applications if you just remove the outer chassis.

The latest printing technologies which built-in which enable you to enjoy your data printing with high speed printing and quiet operation which meet your most rigorous requirements

	BP-003 thermal	BP-007 dot matrix
	80mm width 220mm/sec	4.7 LPS/76mm, 40 columns, 6.0 LPS/57.5mm ,30 columns
	4MB	60KB
	USB 2.0	USB 2.0
	10/100BaseT	
	Auto Cutter	Auto Cutter
	Black mark detecting	

Extraordinary



More Drivers supported

In order to work under the different operation systems, BP-003 and BP-007 support most of the Drivers for Windows 2000/NT/Vista/7, Lixnus, OPOS---

Multi-Language support

Upgradeable firmware and code page at distributor's side directly. They will be powerful business tools for your printing applications. In brief, there is no font development necessary, and you will not face with the arduous and costly task of designing new fonts.

Also supports multiple bar code printing including QR code and PDF 417

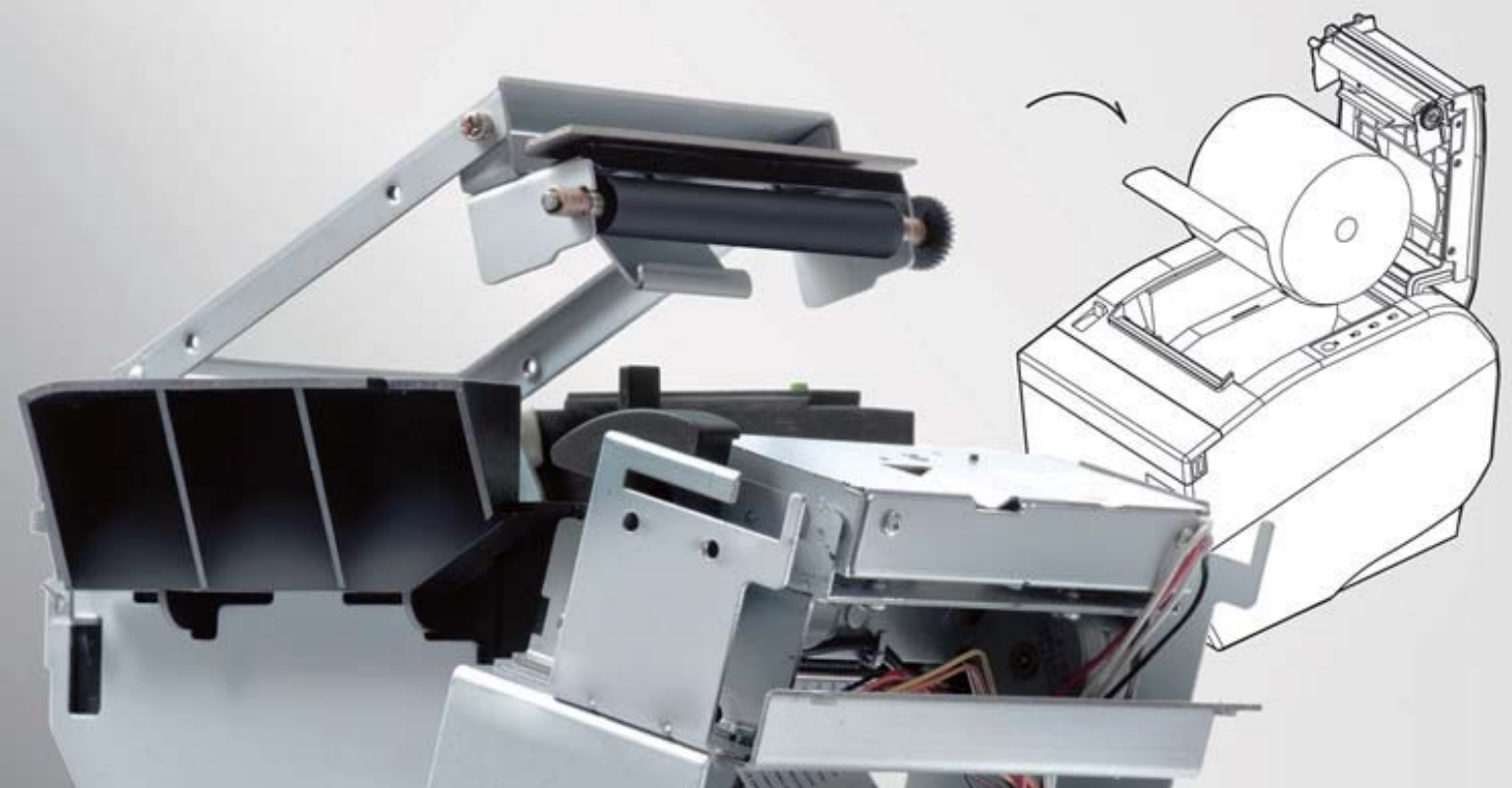


ESC/POS commands compatibles

Fully ESC/POS commands compatible model, and you can process your printing at your fingertips in any numerous ways to create your receipts.

Black mark detect device bundled

To meet to diversified applications in retail and hospitality, BP-003 and BP-007 already built on "Black mark detect device" as standard.



functions

BIRCH
www.birch.com.tw
CARISMA™ is a 210.00
trade mark of 1550.00
BIRCH 50.00
Technology Inc. 13.00
All other products,
brands of companies
are trademarks or
registered trademarks
of their respective
companies.



Logo print without change your software

BP-003 has the **4MB** memory buffer for you to store your data and graphics. With BP-003 logo print driver,

it is a easy-to-use utility, you can easily to have your

invoice printing with your logos , your brands and related promotion matters.



With 220mm per second print speed.

BP-003 built-in high quality print head and Auto-Cutter to assure the print quality and performance.

With lots of advanced designs such as paper rolls inside the chassis to assure the good print to reach **220/sec** speed (at least).

Transparent Paper roll cover with rib supported

BP-003 with transparent paper roll cover, it is helpful to the retailers to see through the status of paper roll.

Furthermore, BP-003 transparent paper roll cover with " rib " design to assure the transparent cover durability, reliability.

80 mm paper roll and Drop-in and print design.

With 80mm paper roll , it is more print capacity for the retailers , which save much time for loading paper to increase your business productivity. It is a " drop-in and print" design on BP-003 to keep it user-friendly.

OPTIONS



SER-BP003 BP-003 RS232 + USB interface module
LPT-BP003 BP-003 parallel interface module
LAN-BP003 BP-003 Ethernet + USB interface module
BTH-023 BP-003 Bluetooth + USB interface module
WIF-023 BP-003 WiFi + USB interface module

ORDERING INFORMATION

- BP-003BR** 3" thermal receipt printer, w/AutoCutter, RS232 + USB interface With serial cable, Black color
- BP-003BU** 3" thermal receipt printer, w/AutoCutter, RS232 + USB interface With USB cable, Black color
- BP-003BP** 3" thermal receipt printer, w/AutoCutter, parallel interface With LPT cable, Black color
- BP-003BN** 3" thermal receipt printer, w/AutoCutter, Ethernet + USB interface With LAN cable, Black color
- BP-003BT** 3" thermal receipt printer, w/AutoCutter, USB + Bluetooth interface, Black color
- BP-003BF** 3" thermal receipt printer, w/AutoCutter, USB + WiFi interface, Black color



BP003



High print speed and multiple devices for 76mm and 57.5mm paper width

- BP-007 can use the paper width 76mm and 57.5mm both. When you like to have 57.5mm paper, then you can install the bundled "roll paper guide", " paper partition board and just have your settings for paper parameter.
- With high print speed of 4.7 LPS(line per second) of 76mm with 40 columns and 6.0 LPS of 57.5mm with 30 columns.

Strong print copy capacity(1 x original + 2 x copies) with very quiet printing mode

BP-007 supports strong print copy capacity (1 x origin + 2 x copies) with print noise less than 58 db(A) to meet ISO7779 standards.



Online aptitude parameter settings

BP-007 has the feature of online-aptitude parameter settings as standard. The users can have their settings on their systems(PC) with BP-007 driver installed.

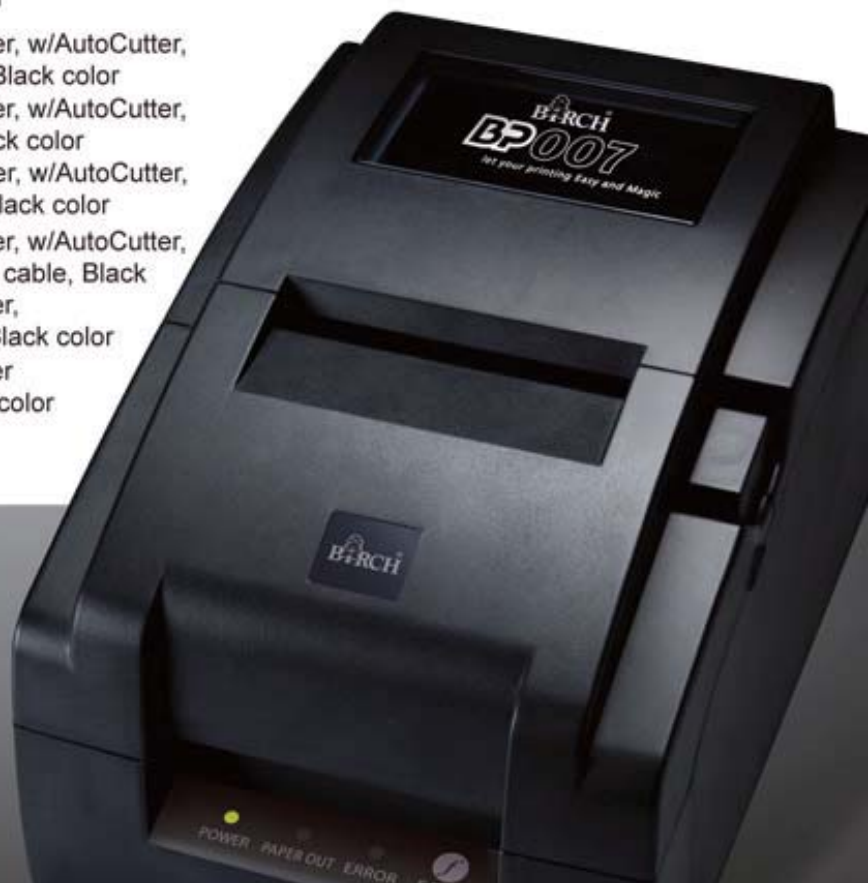
OPTIONS



SER-BP007	BP-007 RS232 interface module
LPT-BP007	BP-007 parallel interface module
USB-BP007	BP-007 USB interface module
LAN-BP007	BP-007 Ethernet + USB interface module
BTH-007	BP-007 Bluetooth interface module
WIF-007	BP-007 WiFi interface module

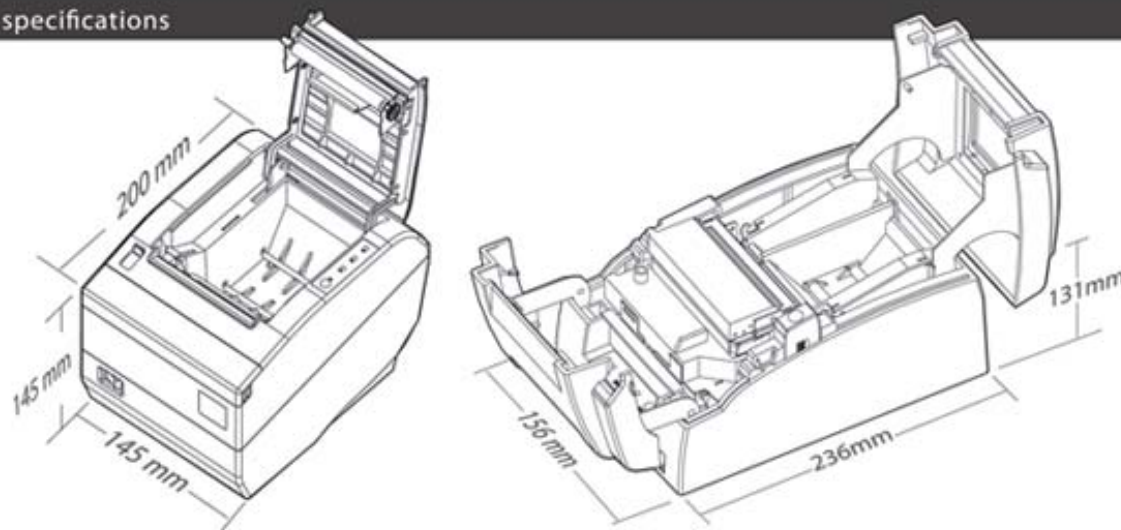
ORDERING INFORMATION

- BP-007BR** 76mm/57.5mm impact receipt printer, w/AutoCutter, RS232 interface With serial cable, Black color
- BP-007BU** 76mm/57.5mm impact receipt printer, w/AutoCutter, USB interface With USB cable, Black color
- BP-007BP** 76mm/57.5mm impact receipt printer, w/AutoCutter, parallel interface With LPT cable, Black color
- BP-007BN** 76mm/57.5mm impact receipt printer, w/AutoCutter, Ethernet + USB interface With LAN cable, Black
- BP-007BT** 76mm/57.5mm impact receipt printer, w/AutoCutter, Bluetooth interface, Black color
- BP-007BF** 76mm/57.5mm impact receipt printer w/AutoCutter, WiFi interface, Black color



BP007

Sizes



Model Numbers		BP003	BP-007
Printer	Printing Method	Direct Thermal	Dot Matrix
	Printing Direction	Line printing	Bidirectional wizard
Mechanism	Max Print Width	79.5mm ±0.5mm	76mm and 57.5mm
	Effective Print Width	72mm	76mm paper width: 63mm/ 42 columns 57.5mm paper width: 45mm/ 30 columns
	Character Size	Font A: 1.5x 3mm ; Font B: 1.13x 2.13mm	Font A: 7x7 dot, 17 CPI, 2.5mm Height Font B: 5x7 dot, 20 CPI, 2.5mm Height
	Character per line Printing Speed	Font A: 48 columns ; Font B: 64 columns 220mm/sec	Font A: 42 columns ; Font B: 49 columns 76mm/ 40 columns: 4.7 LPS 57.5mm/ 30 columns: 6.0 LPS
Printer Head	Printer Density	576 dot/line, 203 dpi	76mm paper width: 420 dot/line, 144 dpi 57.5mm paper width: 300 dot/line, 144 dpi
	Printer Life	100 KM	400 Million dots/pin
Interface	Serial Port	Dsub 9 pin female connector, default with 9600 or up to 115200 bps baud-rate	Dsub 25 pin female connector, default with 9600 or up to 115200 bps baud-rate
	Parallel Port	Bi-directional 36 pin connector (IEEE-1284 nibble mode supported)	
	USB Port	USB 2.0 full-speed	
	Ethernet Port	10/100 Base-T	
	Bluetooth	USB 2.0 full-speed	
	WiFi	802.11 b/g/n	
	Cash Drawer Port	DV 24V/1A, 6 wires RJ-11 socket	
Print Font	ASCII code	13 international character set as standard, enhanced by updating firmware	
	Chinese	Big 5 or GB123	
Bar Code	UPC-A, UPC-E, EAN-13, EAN-8, Code 39, Code128, ITF-25, Codabar, QR code, PDF417	N/A	
Beep Tone	Standard for Head Open, Paper End. Driver setting for After Printing.	N/A	
Black Mark	Supported		
Print Commands	ESC/POS		
Input Buffer	4MB		60KB
Paper	Paper Width	79.5 ±0.5mm	76mm and 57.5mm
	Max. Roll Diameter	80mm	83mm
	Paper Thickness	53.0-80.0 g/m2	52.3-64.0 g/m2
	Copy Capacity	N/A	3 pieces (Original + 2 copies)
Ribbon	N/A		Compatible Star RC 200B
Auto Cutter	Life span: over 2,000,000 cuts		Life span: over 1,000,000 cuts
Environment	Operating	5°C ~ 50°C; 10% RH ~ 80% RH	5°C ~ 40°C; 20% RH ~ 80% RH
	Storage	-20°C ~ 60°C; 10% RH ~ 90% RH	-10°C ~ 60°C; 10% RH ~ 90% RH
Power Supply	Input	100V AC – 240V AC, 50-60Hz	
	Output	+24V DC/ 2.5A	
Dimension	200 (L) x 145 (W) x 145mm (H)		236 (L) x 156 (W) x 131mm (H)
Weight	2KGs (without cable)		2.1KGs (without cable)