

DS-715

DS-715

Convergence in compact mechanism

Easy-to-use and user's friendly configuration tool

The Solid State Powerful and Affordable Price Checker



⌘ Omni-directional laser built-in and Bright LCD Screen display.

20-line omni directional laser scanner to offer easy and sensitive scanning for customers; optional for entry level CCD engine.

High bright LCD display supporting 3 or 5 lines, up to 20 characters per line and world languages, animations, pictures and logo on display

⌘ More advanced features

- Built with loud speaker to support real audio samples (.wma)
- AUX port for handheld scanner connection
- User's friendly utility tool for easy integration
- Easy to configure and upgrade through "Configuration Tool" or "Internet Browser" secured by password
- Support fragmented code reading
- Click-and-go installation
- 182 (L) x 131 (W) x 95 (H) mm, 750g only

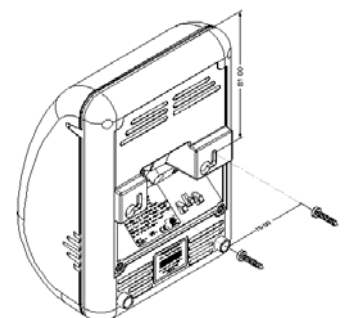
⌘ Interfacing

Standard with Ethernet TCP/IP interface (10/100 BaseT) for Ethernet protocol: UDP, TCP Client, TCP Server.

Also optional for Power Over Ethernet (PoE) or WiFi 802.11b/g/n through mini-PCI card encrypted by WEP, WPA-1, WPA-2 Personal & Enterprise.

⌘ Integration, Connectivity & Configuration

Standard with configuration Tool (or by using your internet browser) for setting. You can have customized application program by the system integrator to the store data base.



Ordering Information:

DS-715: Price checker with 20-line omni laser scanner, Ethernet TCP/IP interface



Technical Specifications

Model Numbers	DS-715	Scanner	Light source	Omni: Visible laser diode (650 nm) CCD: Red LED.
Physical	Dimension 182 (L)x 131(W)x 95(H)mm Display High bright blue-white 128 x 64 pixels Housing Plastic ABS		Depth of field	Max. 200mm
Electrical	Power Supply 100-240V 50/60 Hz through external PSU (adapter) Optional Power over Ethernet complying IEEE 802.3af Power Consumption 3-5Watt (5.2Vdc,580-1050mA) Depending on interface and scanner type.		Scan pattern	Omni-directional or single line
	DC Input 5.2V DC	Others	Scan rate	Omni: 1350 scans/sec CCD: 270 scans/sec
Interface	Ethernet Ethernet 10/100 Base-T interface. (Standard) Power over Ethernet PoE IEEE 802.3af (Optional) WiFi 802.11 b/g/n using an optional mini-PCI card,WAP encryption (WPA-1, WAP-2 personal & enterprise) (Optional)		Barcode Symbologies	EAN/UPC/JAN + Add-on, Code 128, EAN 128, Code 39, Code 93 (+ full ASCII), Code 32, Codabar, Interleaved 2/5, GS1 Databar, ISBN.
Environment	Operating 0°C-40°C, 20%..95% RH		External connection	AUX port (RS-232) for connection of a handheld scanner
			Audio	Speaker
		Software Tools		<ol style="list-style-type: none"> 1. Easy to use configuration and remote firmware update tool (tftp) or using your web browser for smooth unit set-up. 2. Loads of software examples, including free source code of a complete (demo) application with Ethernet driver to get the price checker connected to any local database in no time at all (by the system integrator). 3. Simple "five minute set-up" demo tool.



Birch is a trademark of Birch Technology U.S.A. Inc
All other products, brands or companies are trademarks or registered trademarks of their respective companies.

Specifications are subject to change without prior notice

Contact us for details